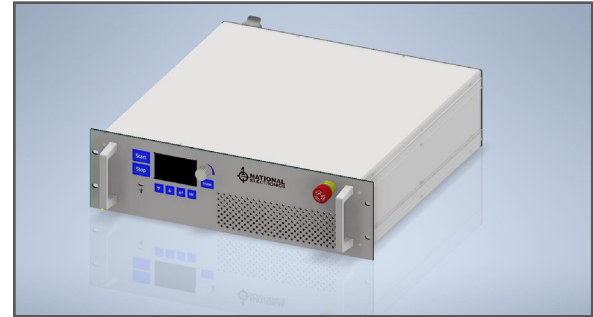
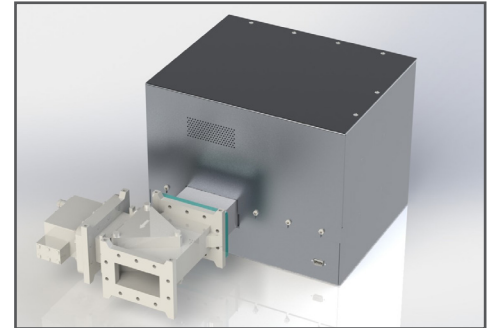


Richardson Electronics newest line of microwave generators has been designed for industrial heating applications and plasma generation. The generator is based on a new, reliable and high-performance switch-mode power supply. A dc filament supply allows the magnetron to generate a clean output spectrum throughout the power band. Multiple control options including manual, remote analog and remote digital offer a user-friendly interface.



Features and Benefits

- Modern switch-mode circuit topology
- Configurable control options
- Isolated dc filament supply for magnetron
- Extremely low-ripple for best spectral output
- Long magnetron life
- Reliable & cost-effective



Applications

Industrial Heating:

- Drying of food and materials
- Heating of food and materials
- Vulcanization & Polymerization

Plasma:

- CVD and PECVD for diamond growth
- Surface treatment
- Thin film deposition
- Gas abatement and gasification

Specifications

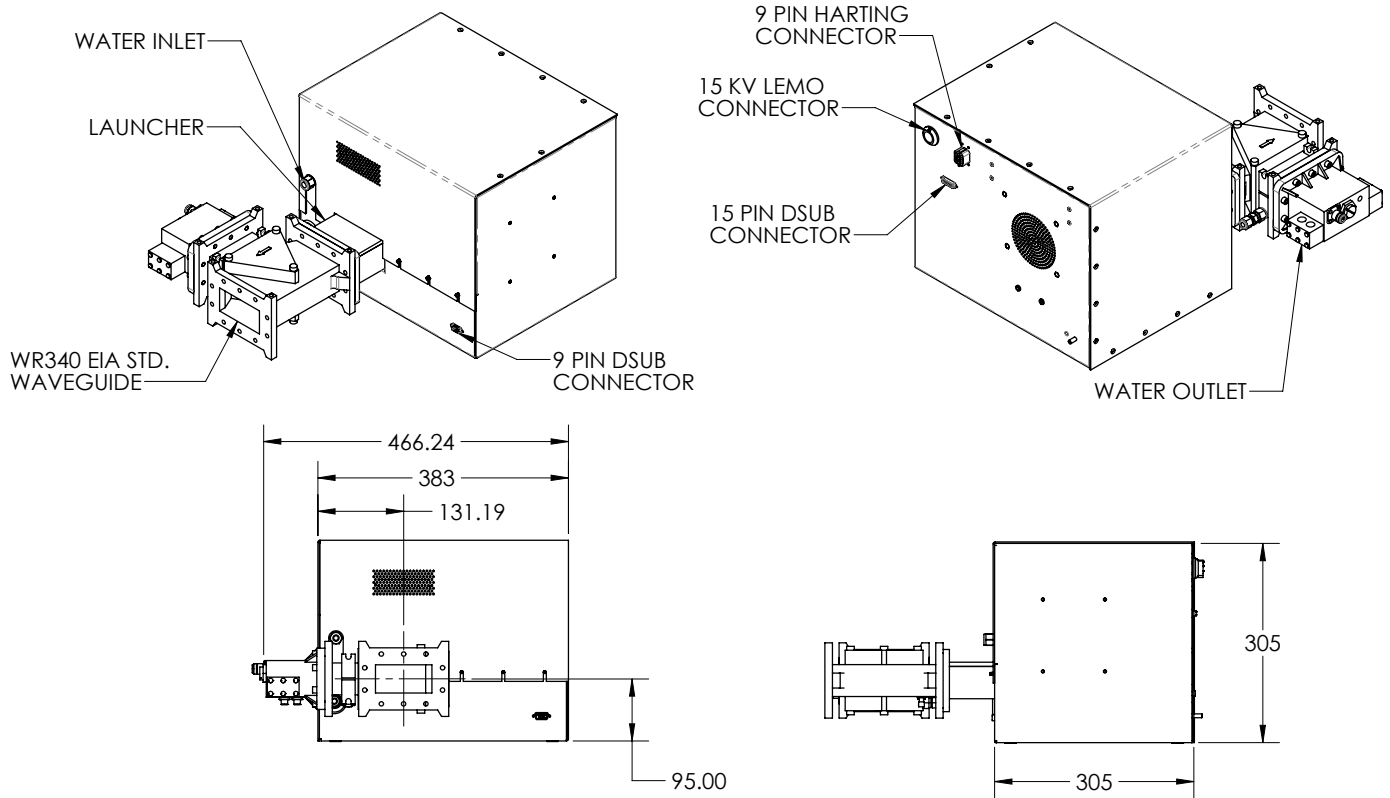
Power Output:	300-3000W
Frequency:	2.45GHz \pm 15GHz
Power Regulation:	10-100%
Ripple:	<3% of output power
Microwave Connections:	WR340 w/ CPR340 flange
Generator Control:	Manual; Remote Analog (plc) Remote: Digital RS485, Modbus, user defined (custom)
AC Power Input:	3x 400V/480V \pm 10%
Power Supply:	PS3000x
Housing:	3U, 19" rack
Dimensions:	132.9mm(H) x 482.6mm(W) x 541.8mm(D)
Cooling:	Water (\geq 4 l/min); Air (200m ³ /hr)
Power Head:	MH3000W
Housing:	Rolled steel 305mm(H) x 381mm(W) x 305mm (D)
Cooling:	Water: \geq 3 l/min, max 5bar 25°C

Note: Specifications subject to change without notice.

Options:

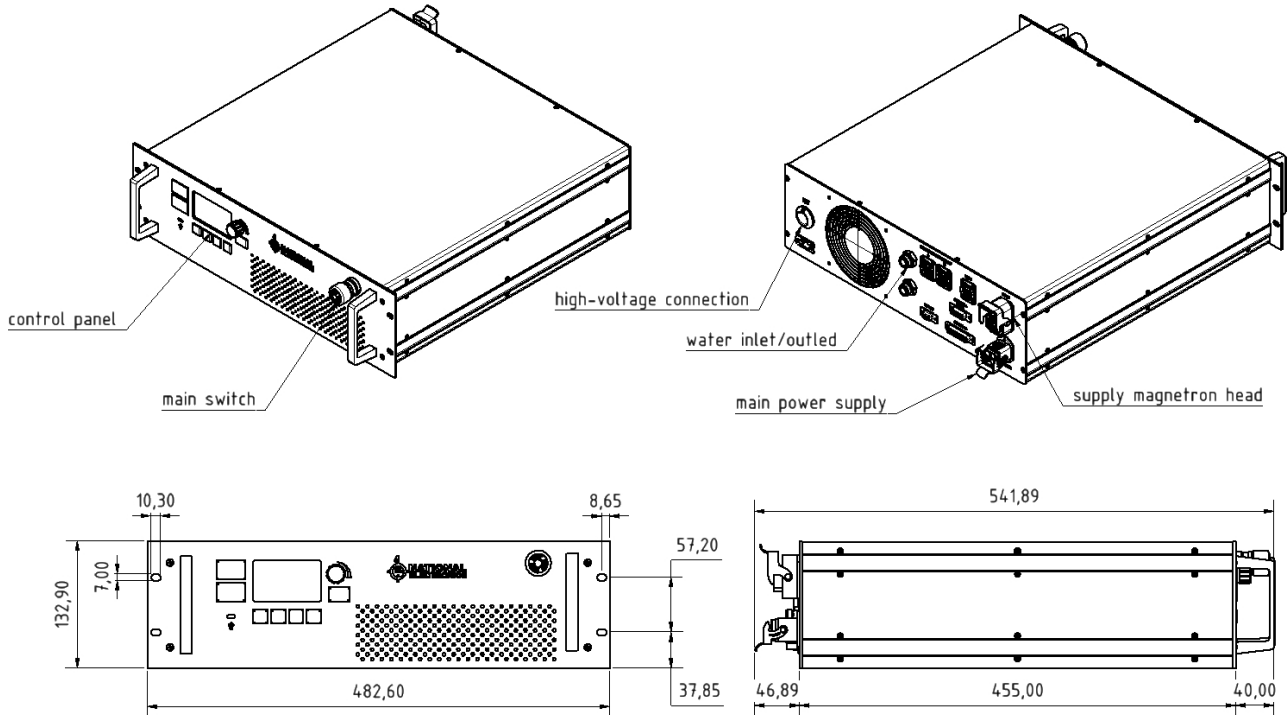
Power Measurement Unit

Outline Drawing:



Note: Unless otherwise noted, dimensions are nominal values in mm. Specifications subject to change without notice.

Outline Drawing:



Ordering Information:

Please contact your local Richardson Electronics sales office for price and availability information.

Note: Unless otherwise noted, dimensions are nominal values in mm. Specifications subject to change without notice.